

DEEPSEA
Power & Light[®]



Low-Light SeaCam[®]



FEATURES

Low-Light Black & White

4.5 x 10⁻⁴ Faceplate Illumination

6000 Meter Depth Rated

Compact Rugged Design

85° FOV in Horizontal

T: (858) 576-1261
F: (858) 576-0219

4033 Ruffin Road
San Diego, CA
92123- 1817 USA

www.deepsea.com
sales@deepsea.com

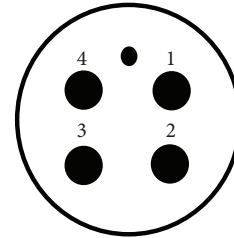


Low-Light SeaCam®

LLSC-3085	
Mechanical Specifications	
Housing	Aluminum Titanium
Port	Optically Polished Glass Hemisphere
Outer Diameter (w/o crash gaurd)	56 mm [2.20 in]
Overall Length (w/o connector)	124 mm [4.88 in]
Weight in Air	Titanium: 0.56 kg [1.23 lbs]
Weight in Water	Titanium: 0.30 kg [0.66 lbs]
Environmental Specifications	
Depth Rating	Aluminum: 4,000 m [13,123 ft] Titanium: 6,000 meters [19,685 ft]
Operating Temp.	-10° C to 50° C [14° F - 122° F]
Storage Temp.	-30° C to 70° C [-22° F - 158° F]
Optical Specifications	
Lens	3.0mm, F/1.0
Focus	Fixed Focus
FOV in Water	85° (H) x 62° (V) x 110° (D)
Video Specifications	
Image Sensor	1/3-inch CCD image sensor with Global Shutter
Resolution	470 TV lines horizontal
Scene Illumination	0.0016 Lux [50 IRE]
Faceplate Illumination	0.00045 Lux [50 IRE]
Signal to Noise	>50 dB
Video Output	Composite, 1.0 V p-p into 75 ohm, Unbalanced
Video Format	EIA or CCIR
Electrical Specifications	
Voltage	9-36 VDC
Power	2W max

*Measured values using example product in water.

Standard Connector

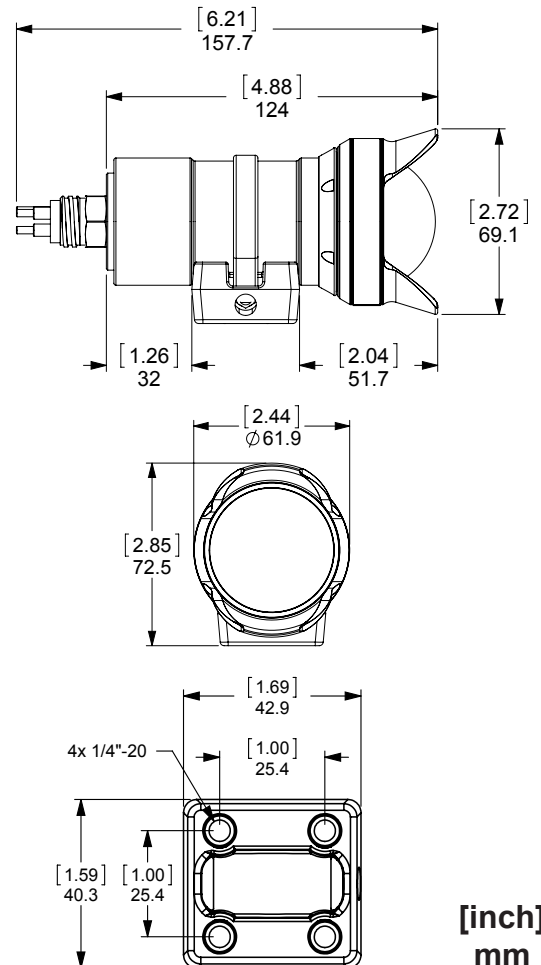


BH4MP/MCBH4MP

- 1 = Ground
- 2 = Power
- 3 = Video
- 4 = N/C

Other connector options available upon request.

Dimensions



T: (858) 576-1261
F: (858) 576-0219

4033 Ruffin Road
San Diego, CA
92123-1817 USA

www.deepsea.com
sales@deepsea.com

