

# Super Wide-i SeaCam<sup>®</sup>

A Low-Light Camera with a Wide Field of View and Minimal Distortion.



## FEATURES

**1/3 in CCD Sensor**

**Low-Light Black & White or Color**

**Extreme Wide Angle with Low Distortion**

**150 (H) x 120 (V) Degree Angle of View Under Water**

**Up to 12km Depth Rated**

T: (858) 576-1261  
F: (858) 576-0219

4033 Ruffin Road  
San Diego, CA  
92123- 1817 USA

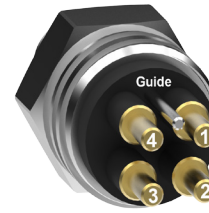
www.deepsea.com  
sales@deepsea.com



# Super Wide-i SeaCam<sup>®</sup>

Mechanical Specifications		
<b>Housing</b>	Hard Anodized 6013 Aluminum (Standard) 6Al-4V Titanium (Optional)	
<b>Port</b>	Optically polished glass hemisphere	
<b>Outer Diameter</b>	58.4 mm (2.30 in)	
<b>Overall Length (w/o the connector)</b>	104.9 mm (4.13 in)	
<b>Weight in Air</b>	0.47 kg (1.05 lbs)	
<b>Weight in Water</b>	0.23 kg (0.51 lbs)	
Environmental Specifications		
<b>Depth Rating</b>	6km (19,685 ft) Standard 12km (39,370 ft) Optional	
<b>Test Pressure</b>	69 MPa (10,000 psi) Al 138 MPa (20,000 psi) Ti	
<b>Operating Temp.</b>	-10° C to +40° C (14° F to 104° F)	
<b>Storage Temp.</b>	-30° C to +70° C (-22° F to 158° F)	
Optical Specifications		
<b>Lens</b>	1.4 mm, F2.2	
<b>Focus</b>	Fixed Focus	
<b>Depth of Field</b>	25 mm (1.0 in.) to infinity	
<b>FOV in Water</b>	150° (H) x 120° (V) x 185° (D)	
Video Specifications		
	<b>B/W</b>	<b>Color</b>
<b>Image Sensor</b>	1/3 inch CCD sensor	1/3 inch CCD sensor
<b>Number of Pixels</b>	EIA: 811 (H) x 508 (V) CCIR: 795 (H) x 596 (V)	NTSC: 811 (H) x 508 (V) PAL: 795 (H) x 596 (V)
<b>Resolution</b>	570 TVL	450 TVL (center)
<b>Scene Illumination</b>	0.002 Lux, F1.2	0.1 Lux, F1.2
<b>Signal to Noise</b>	46 dB	More than 50 dB
<b>Video Output</b>	Composite, 1.0 Vp-p 75 ohm, unbalanced	
<b>Video Format</b>	EIA or CCIR	NTSC or PAL
Electrical Specifications		
<b>Power</b>	11-30 Vdc	
<b>Current</b>	160 mA	145 mA

## Standard Connector

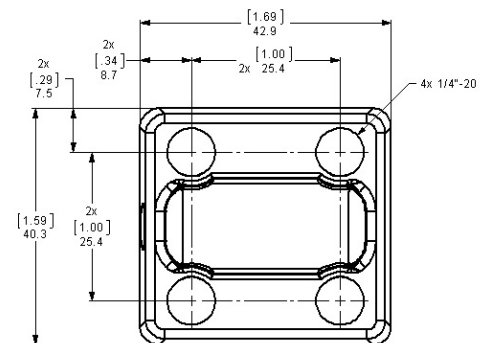
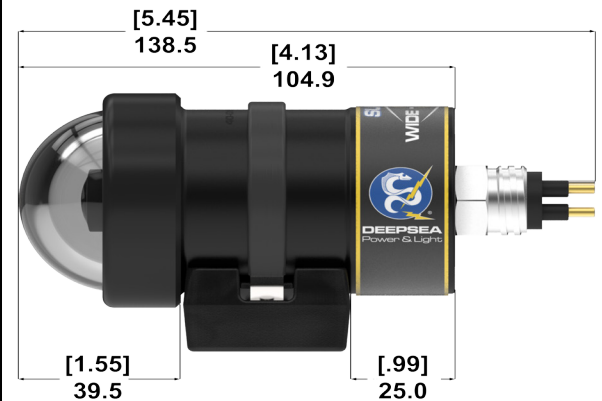
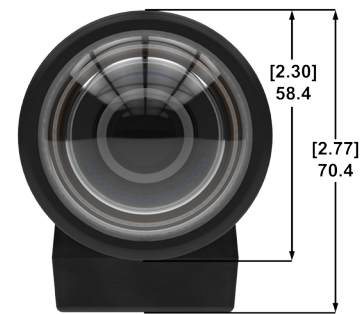


### MCBH4MP

- 1 = Ground
- 2 = Power
- 3 = Video Out
- 4 = Not Used

\*Other connectors and pin-out options are available upon request.

## Dimensions



[inch]  
mm



T: (858) 576-1261  
F: (858) 576-0219

4033 Ruffin Road  
San Diego, CA  
92123-1817 USA

www.deepsea.com  
sales@deepsea.com



REV 3/5/14

\*Specifications subject to change without notice.