

AMETEK[®]

SCP[®], INC.

Where Quality and High Performance Run Deep

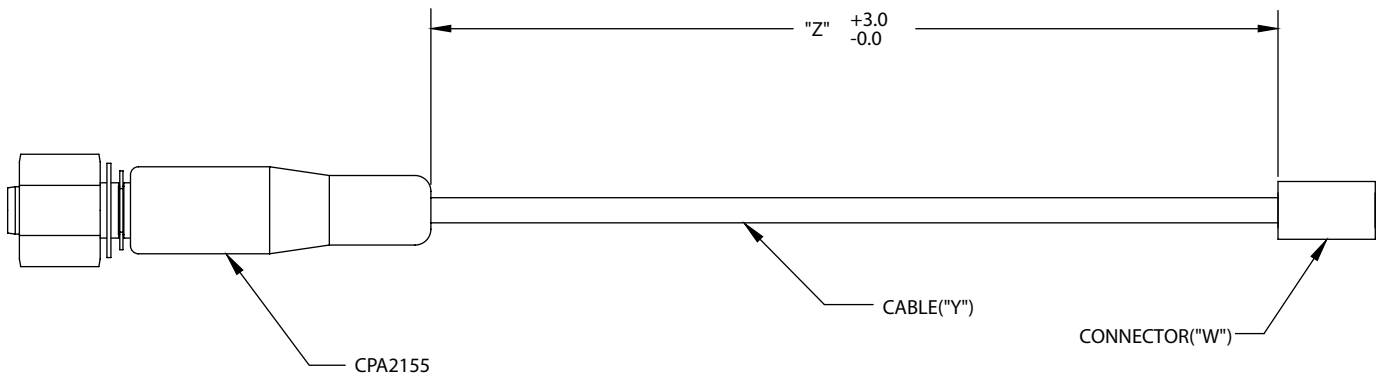
In-line Plug to Standard Connector Cable Assembly CPA2438

CPA2438 enables a standard CPA2155 coax plug to be cabled to a number of standard coax interfaces, such as a BNC or SMA type. Aside from the standard free-end connector options, any standard coax interface can be evaluated for use in such a cable assembly.

The accessory sealing receptacle is CSA2432.



Order as P/N: CPA2438-W-Y-Z



W = Free End Connector
See Table 3

Y = Cable Code
See Table 2

Z = Cable Length In Feet

Characteristic Impedance	Insulation Resistance	Frequency Range	Dielectric Withstand Voltage	Pressure Rating	Material
50 Ohms	5000 MΩ @500VDC	DC to 3 GHz (depends on cable selection)	1000V (RMS) 60 Hz	10,000 psi	316/316L Stainless Steel