

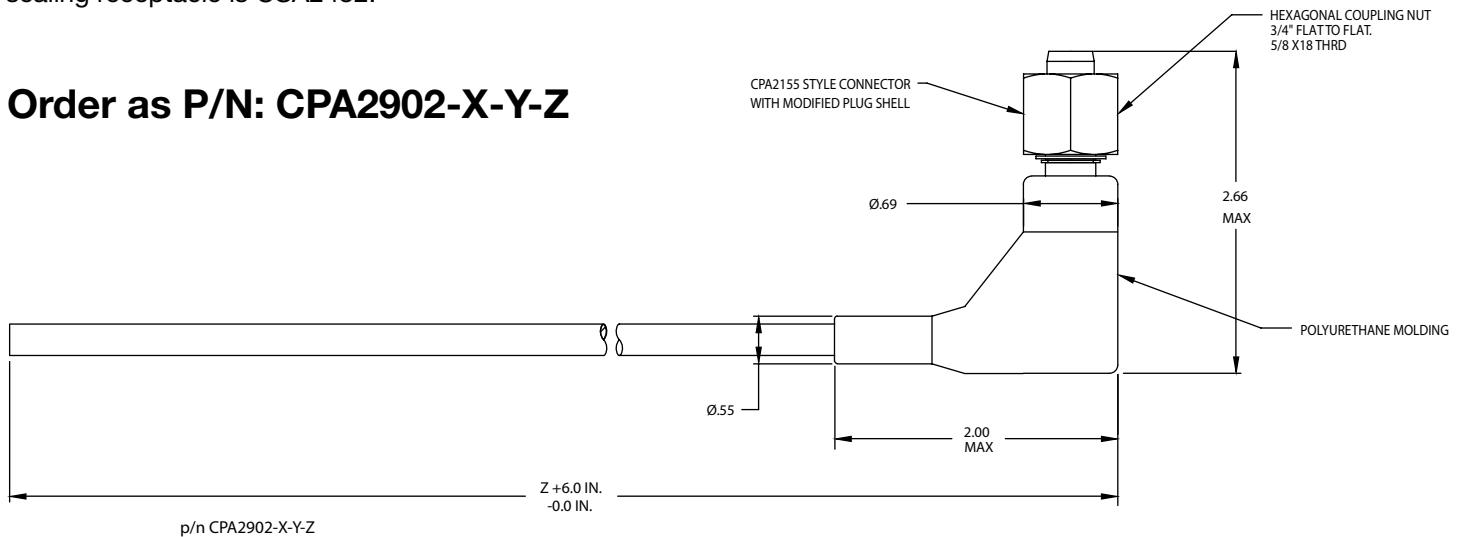
Right Angle Plug P/N CPA2902

CPA2902 is the right angle version of AMETEK SCP's overmolded coax plug. For instances where space is tight, or cable management is difficult, the added option of using a right angle connector can be invaluable. CPA2902 is available in kit form, and as an overmolded cable assembly with a host of different form and cable options.

CPA2902 mates to receptacles CRA2154 and CRA2963. The accessory sealing receptacle is CSA2432.



Order as P/N: CPA2902-X-Y-Z



X = Form Code
See Table 1

Y = Cable Code
See Table 2

Z = Cable Length In Feet
Use "0" If Ordering As Kit

Characteristic Impedance	Insulation Resistance	Frequency Range	Dielectric Withstand Voltage	Pressure Rating	Material
50 Ohms	5000 MΩ @500VDC	DC to 3 GHz (depends on cable selection)	1000V (RMS) 60 Hz	10,000 psi	316/316L Stainless Steel