

SeaLaser[®] 100 Dual Mount

- Creates and Maintains Parallel Beams
- Excellent For Scaling and Measurement
- Designed For Use With SeaLaser[®] 100



DEEPSEA
POWER & LIGHT[®]

SeaLaser[®] 100 Dual Mount

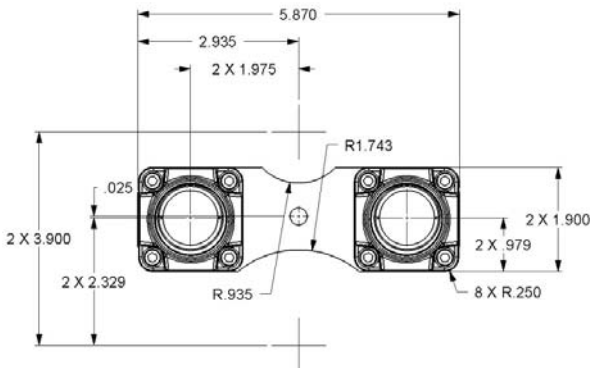
Specifications

SPEC REV A 3/29/10

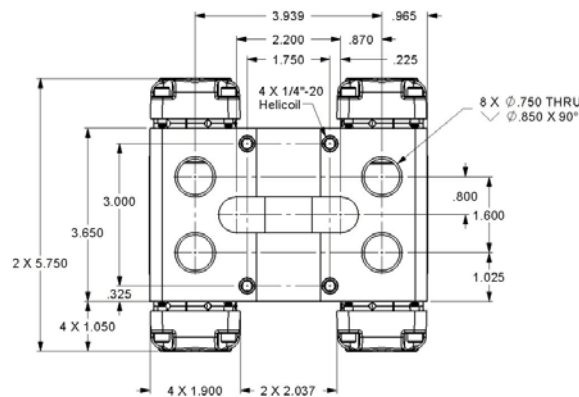
The SeaLaser 100 Dual Mount is designed to position and hold two green or red SeaLaser 100s forming parallel beams 10cm apart. The dual laser mount is adjusted at the factory using the two pairs of opposing nylon tipped allen screws at the back of the mount. The bracket has four mounting holes to attach the dual mount to an ROV frame, pan-and-tilt, or base unit. The bracket has an additional four holes for a Multi-SeaCam mounting bracket, for a view camera down the centerline between the two lasers. A manual with instructions for field alignment is included.

Micro SeaLaser [®] Dual Mount	
MECHANICAL	
Housing Material:	Acetal Plastic (Delrin)
Length:	14.6 cm (5.75 in.) [without SeaLasers] 15.8 cm (6.21 in.) [with SeaLasers]
Height:	4.8 cm (1.90 in.)
Width:	14.8 cm (5.84 in.)
OTHER	
Distance Between Beams:	10 cm (3.94 in.)

Front View



Top View



Specifications subject to change without notice.



DEEPSEA
Power & Light[®]

4033 Ruffin Road
San Diego, CA 92123
ph: (858) 576-1261

www.deepsea.com
info@deepsea.com
fax: (858)576-0219

DSPL ENG 718-005-017