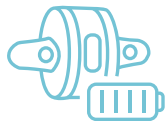




MADE IN CANADA ♦



200M // 656FT



Up to 8 hours



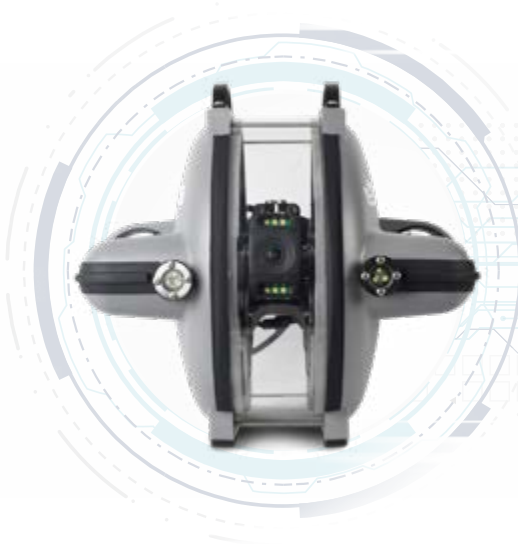
4K ultra HD  
low-light camera



Extreme mobility &  
stabilization control

DEEP TREKKER'S PRODUCTS WORK BEYOND COMPARE AND THEY WILL HELP YOU IN ANY WAY POSSIBLE WITH ANY QUESTION YOU HAVE.

DAVID H. - PITTSBURG TANK & TOWER



## POWERED BY BRIDGE

Deep Trekker's newest technology platform solves the most challenging operating conditions. It delivers reliable, stable and intuitive controls.

An improved software intelligence enhances the operator's experience with easy-to-use controls, auto-stabilization, wireless connectivity, and augmented recording capabilities.

BRIDGE provides the most innovative solution to our customers.

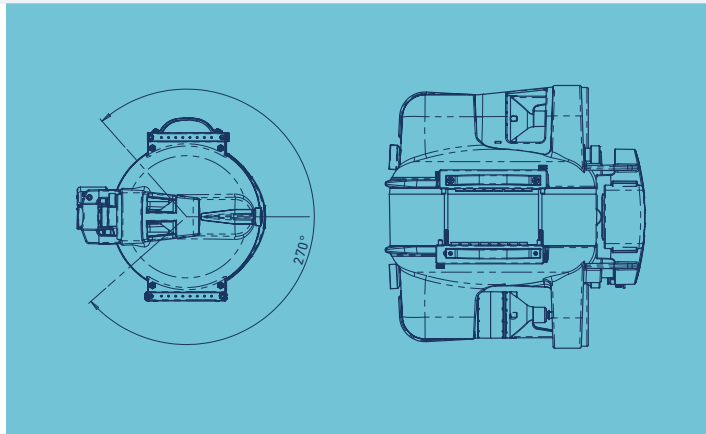


### Enhanced Viewing Experience

The **live 4K video** records directly to the **waterproof** handheld controller and its 7-inch viewing screen allows for the clearest view of underwater inspections. The improved interface allows for simultaneous viewing of **sonar data**, **GPS** and **live-video**, without the need for external control consoles.

### Advanced Stability and Control

Coupled with the driving force of **BRIDGE**, the DTG3 provides advanced stability in underwater environments. Equipped with **automated station holding**, the camera is capable of rotating 270° for situational awareness.



### Truly Portable Solution

Topside power and generators are not required to power the DTG3. With internal batteries and integrated equipment, Deep Trekker robots are the only truly portable systems on the market, and can be **deployed within seconds**.

**Fully Assembled - Fully Tested - Ready to Use.**

#### ROV General Specs

Width :	325 MM (12.8")
Height :	258 MM (10.2")
Length :	279 MM (11.0")
Weight (in air) :	8.5 KG (18.7 LB)
Body Material :	Die Cast Aluminum
Window Material :	Acrylic
Depth Rating :	200 M (656 FT)
Operating Temp :	-10°C to 50°C (14°F – 122°F)
Case (option) :	Custom Pelican Air 1637 Handle and Wheels
Warranty :	1 Year – Parts and Labor (optional 2-3)

#### ROV Electrical System

System Voltage :	19.2 VDC
Battery Run Time :	Up to 8 Hours (Hybrid power capable)
Battery Recharge :	1.5 Hours
Thruster Control :	Independent Infinitely Variable 100% Reversible

#### ROV Controller

Screen:	178 MM (7") Wide-Angle LCD
Controller:	16:9 Up to 4K Recording Waterproof Connectivity USB, SD, HDMI and Ethernet

#### Lights and Camera

Video :	UHD 4K - 3840X2160   720p - 1280x720 30FPS 0.001 Lux 280° Total Range of View
Picture :	JPG 8MP
Lights :	High Efficiency LED   Fully Dimmable 1000 Lumens Tracking with Camera Optional: 1000-4400 Lumens Add-ons

#### ROV Tether

Tether Diameter :	4.5 MM (0.18")
Tether Weight :	Neutrally Buoyant in Water
Maximum Length :	800 M
Min Breaking Strength :	90 KG (200 LB)