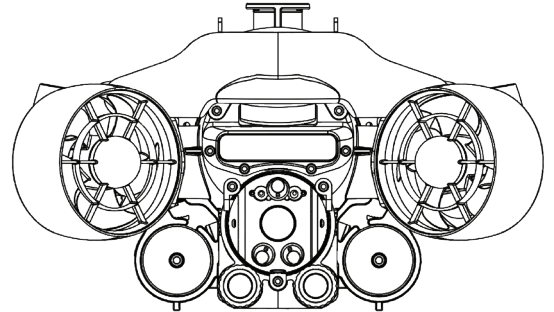


# Specifications

\*subject to change

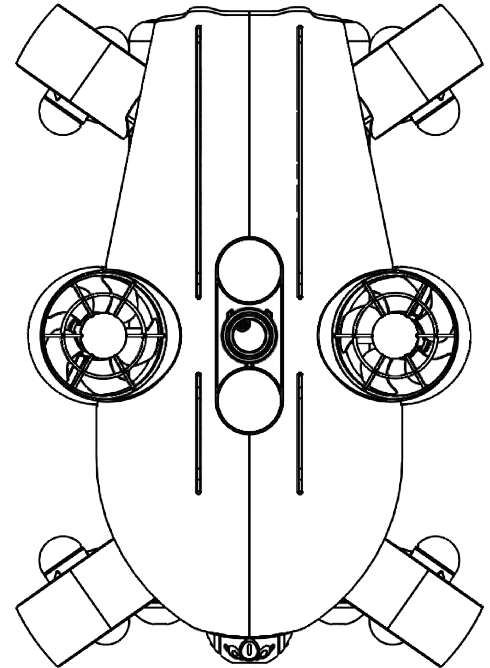
## General

Depth rating:	300m (1,000ft)
Length:	686mm (27in)
Width:	477mm (18.8in)
Height:	275mm (10.8in)
Minimum pipe diameter:	508mm (20in)
Weight in air:	25kg (55lbs)



## Thrusters & Performance

Configuration:	4 vectored, 2 vertical
Vector angles:	Horizontal - 35°, vertical - 10°
Motor type:	Brushless DC
Update rate:	30Hz
Bollard thrust (zero velocity):	16.4kgf (36.1lbf)
Speed / velocity (max):	Forward - 4+ knots (2m/s) Lateral - 2.4 knots (1.2m/s) Vertical - 2 knots (1m/s)



## Power

Battery chemistry:	Lithium-Ion
Available power:	914whr
Voltage:	22-29.4VDC
Endurance:	3-4 hours (typical)
Charging time:	0-100% - 4 hours (pair) 0-90% - 2 hours (pair)
Certification:	UN38.3

## Tether & Reel

Diameter:	2.4mm (0.09in)
Length:	500/2,000m (1,640/6,561ft)
Strength:	113.4kgf (250lbf)
Type:	Single mode fiber, Gigabit, kink free, ruggedized
Buoyancy:	Neutral in fresh water

## Human Machine Interface & Automation

Configuration:	Ruggedized tablet with control dock
Operating system:	Android
Automation:	Auto depth, auto heading, auto altitude, waypoint navigation, station hold, auto buoyancy calculation, return to home

## System Contents

Standard components:	Vehicle, HMI, tether, reel, cases, spares, 4 x battery pods, charger
Standard sensors:	HD camera, LEDs, lasers, USBL, DVL, altimeter, forward sonar, side scan sonar, GPS, WIFI

## Sensors

Camera:	HD 1080p, 135° tilt, 90° FOV in water
Lighting:	3 x LED, tracking camera
Scaling:	Red line laser (30mm), tracking camera
Forward Sonar:	Dual Frequency (750kHz/1.2MHz) 130°/80° horizontal beam width 20°/12.5° vertical beam width 100m/40m (328ft/115ft) max range 0.1m (4in) min range 4mm/2.5mm (0.16/0.1in) range resolution 1°/0.6° acoustic angular resolution 15Hz update rate 256 beams
Side scan sonar:	450kHz (430-470kHz CHIRP) 0.5° horizontal beam width 60° vertical beam width 100m (328ft) maximum range
USBL:	1km (3,280ft) hemispherical range 1° angular resolution ±50mm (2in) range resolution 24-32kHz frequency
DVL:	1MHz 50m (164ft) max range 0.2m (0.65ft) min range ±0.2% long range accuracy 0.01mm/s velocity resolution ±16m/s velocity range
Altimeter:	1MHz 70m (230ft) max range 0.2m (0.65ft) min range
GPS (vehicle):	GPS/GLONASS 2.5m (8.2ft) accuracy
WIFI:	Wireless N
AHRS:	0.2° pitch/roll accuracy 1° yaw accuracy

