

Gemini 720is

CUSTOM
ENGINEERING

Underwater Pluggable -5°, 10° and 20°



Underwater visualisation from a low power, compact unit

The Gemini 720is is the latest generation from Tritech's renowned multibeam sonar range and is now available with an enhanced range of vertical beam widths to include 5° and 10° in addition to the existing 20° width.

A real-time, high frequency imaging solution, the Gemini 720is operates at 720kHz and combined with Tritech's advanced processing electronics, it produces images of outstanding clarity benefitting from 512 beams, resulting in a 0.5° effective angular resolution.

The latest Gemini 720is has been developed specifically for long-term deployments, fitted with an underwater pluggable connector with titanium housing. The underwater pluggable connector allows the sonar to be removed and reinstalled subsea with no need to bring the cable end to the surface.

The Gemini 720is is supplied with Seanet Pro, Tritech's data acquisition and logging software, which offers users the ability to network and operate the sonar along with a range of other Tritech sensors, from a single software interface.



Designed for extended deployment

Gemini standalone software also provides users with additional control over the Gemini 720is and the software can be upgraded to Gemini SeaTec to provide a variety of target detection, classification and tracking capabilities.

The capability to record data in a range of digital video formats and output screen shots for review comes as standard.

Benefits

- Near field focusing
- 120° field of view
- 8mm range resolution
- Crisp, clear wide angle field of view
- Suitable for low visibility environments
- Easier interpretation of sonar imagery

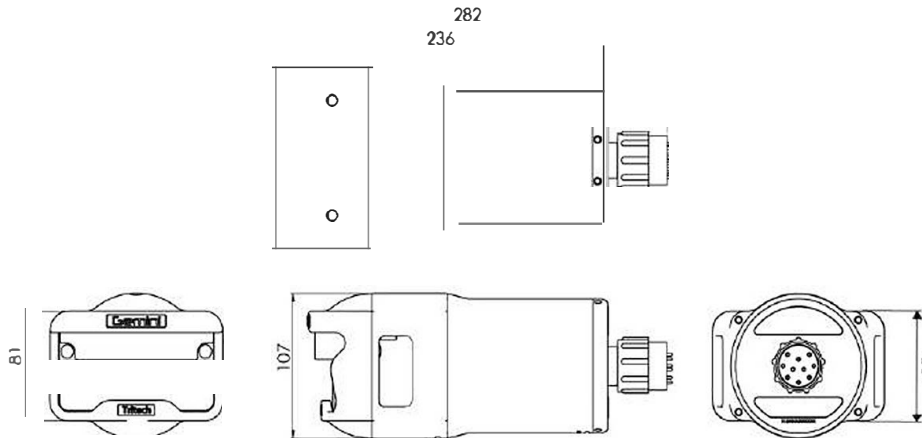
Features

- Real-time updates for video-like imagery
- Underwater pluggable connector
- Integrated velocimeter for accurate ranging
- Software development kit available

Applications

- ROV/AUV navigation
- Obstacle avoidance
- Target recognition
- Subsea monitoring and inspection

Specification



Acoustic specification

Vertical beam width	$5^\circ \pm 2.5^\circ$ to Horizontal	$10^\circ \pm 5^\circ$ to Horizontal	20° (20° tilt down)
Operating frequency	720kHz		
Angular Resolution (acoustic)	1°		
Angular Resolution (effective)	0.25°		
Field of View	120°		
Range	0.2m to 120m		
Update rate	5-30Hz (range dependent)		
Range Resolution	8mm		

Interface

Power requirement	25w
Supply Voltage	19 to 74v DC
Communications Protocol	Ethernet or VDSL
Connector Type	Subconn BH10M
VDSL Cable Length	500m with power supplied local to sonar
Depth Rating	4,000m, Titanium Allow Housing
Weight in Air	5.0kg
Weight in Water	3.0kg
Temperature Ranges	-10° to 35°C (operating), or -20° to 50°C (storage)

Specification subject to change in line with Tritech's policy of continual product development

Tritech International Ltd
 Peregrine Road, Westhill Business Park
 Westhill, Aberdeenshire, AB32 6JL
 United Kingdom
 sales@tritech.co.uk
 +44(0) 1224 744 111

