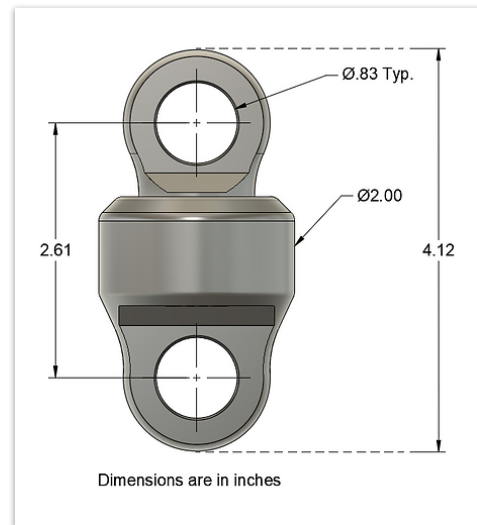


## SWIVEL LINK

Swivel Links are designed to prevent cable twisting in oceanographic moorings. If a cable has a tendency to spin or rotate excessively when placed under tension, the cable will kink and develop loops that can severely weaken cables and render retrieval operations more difficult.

Safe Working Load:	4 Tons (8,800Lbs)
Breaking Load:	20 Tons (45,000Lbs)
Material:	17-4pH Stainless Steel Nonporous Alumina Ceramic Balls
Shackle Size:	fits 3/4" shackles without bushing fits 5/8" shackles with bushing



Call (858) 454-4044 or  
email [brock@o-vations.com](mailto:brock@o-vations.com)  
for more information.